

Spares classification: Valves & Cartridges

Order code: ASSLC0017

Generic Part description: Time 35mm Single Lever Cartridge

Part designation: Joystick Ceramic Cartridge

Spanner width for assembly (if applicable): n/a

Rotation direction for on (viewed from valve top / if applicable): n/a

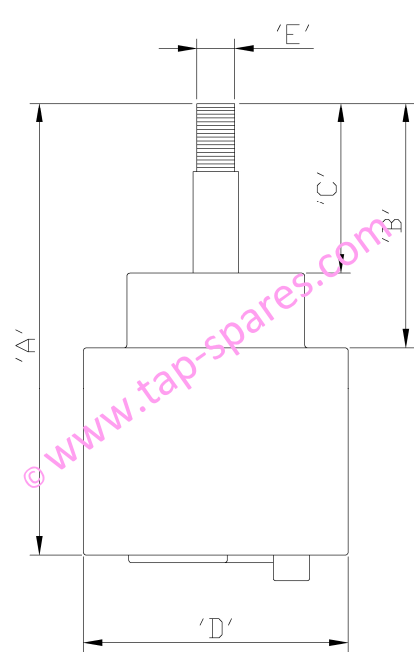
Number of splines (valve connection / if applicable): n/a

Thread detail on valve top for decorative cover (if applicable): n/a

Finish: Blue Plastic

Dimensions and drawing:	
'A'	60
'B'	32
'C'	22.5
'D'	35
'E'	5

Measurements are provided in good faith and do not include any manufacturing tolerance.



The technical drawing shows a side view of the joystick ceramic cartridge. Dimension 'A' is the total height of the main body. Dimension 'B' is the height of the upper section. Dimension 'C' is the height of the lower section. Dimension 'D' is the diameter of the main body. Dimension 'E' is the diameter of the top threaded section.

Other Notes:
Peg diameter - 4.8mm

Associated Parts:



We reserve the right to change specifications without prior notice, substitute or compatible parts may be supplied that may differ from the information shown.