

Spares classification: Valves & Cartridges

Order code: ASCV1117

Generic Part description: Pillar Tap Compression Valves (Pair)

Part designation: Compression Valves

Spanner width for assembly (if applicable): 21mm af

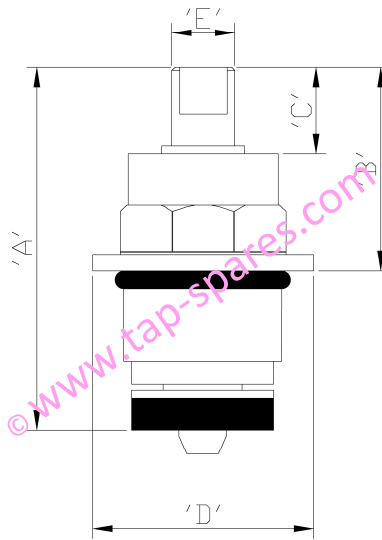
Rotation direction for on (viewed from valve top / if applicable): n/a

Number of splines (valve connection / if applicable): n/a

Thread detail on valve top for decorative cover (if applicable): n/a

Finish: Brass

Dimensions and drawing:	
'A'	45
'B'	27
'C'	11
'D'	27
'E'	7.8



Measurements are provided in good faith and do not include any manufacturing tolerance.

Other Notes:
Associated Parts:

We reserve the right to change specifications without prior notice, substitute or compatible parts may be supplied that may differ from the information shown.