

# Spares classification: Valves & Cartridges

**Order code:** ASCDV0020-C

**Generic Part description:** Linear Monobloc Ceramic Disc Cold Valve

**Part designation:** 1/2" Ceramic Disc QT

**Spanner width for assembly (if applicable):** 17mm af

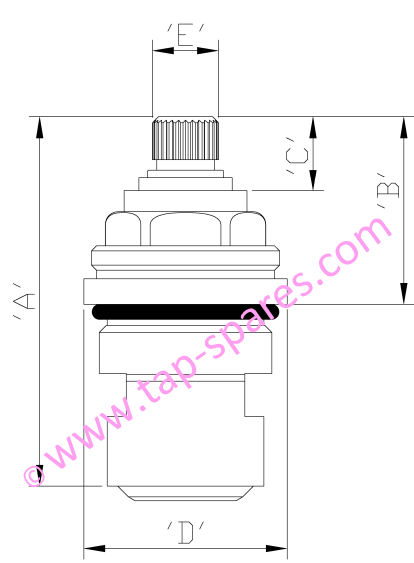
**Rotation direction for on (viewed from valve top / if applicable):** Anti-Clockwise

**Number of splines (valve connection / if applicable):** 28

**Thread detail on valve top for decorative cover (if applicable):** M24 x 1

**Finish:** Brass

Dimensions and drawing:	
'A'	46
'B'	24
'C'	9.5
'D'	24
'E'	7.8



Measurements are provided in good faith and do not include any manufacturing tolerance.

Other Notes:
<b>Associated Parts:</b>

We reserve the right to change specifications without prior notice, substitute or compatible parts may be supplied that may differ from the information shown.