

# Spares classification: Valves & Cartridges

**Order code:** ASCDV0012-C

**Generic Part description:** Paini 545 Quarter Turn Cold Valve

**Part designation:** Ceramic Disc QT

**Spanner width for assembly (if applicable):** n/a

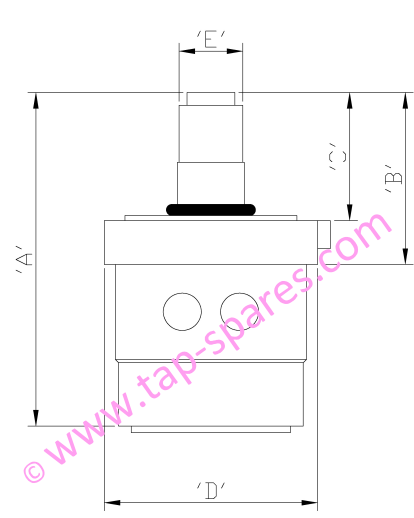
**Rotation direction for on (viewed from valve top / if applicable):** Anti-Clockwise

**Number of splines (valve connection / if applicable):** n/a

**Thread detail on valve top for decorative cover (if applicable):** n/a

**Finish:** Grey Plastic

Dimensions and drawing:	
'A'	52
'B'	25
'C'	18
'D'	34
'E'	9.5



Measurements are provided in good faith and do not include any manufacturing tolerance.

Other Notes:
<b>Associated Parts:</b>

We reserve the right to change specifications without prior notice, substitute or compatible parts may be supplied that may differ from the information shown.