

Spares classification: Valves & Cartridges

Order code: ASCDV0010-C

Generic Part description: (Old) Novar Cold Valve

Part designation: Ceramic Disc QT

Spanner width for assembly (if applicable): locking nut

Rotation direction for on (viewed from valve top / if applicable): Clockwise

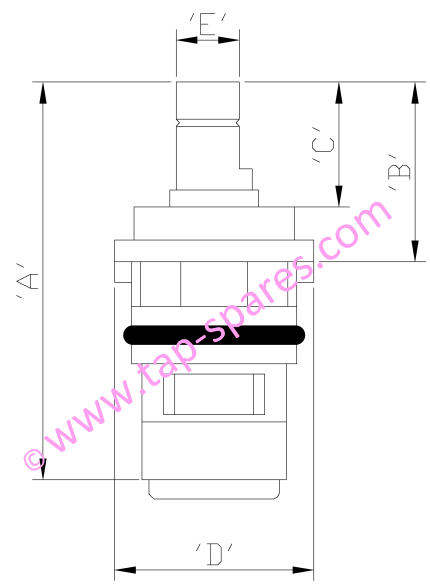
Number of splines (valve connection / if applicable): n/a

Thread detail on valve top for decorative cover (if applicable): n/a

Finish: White Plastic

Dimensions and drawing:	
'A'	47
'B'	22
'C'	15
'D'	24
'E'	9

Measurements are provided in good faith and do not include any manufacturing tolerance.



The technical drawing shows a cross-section of the valve cartridge. Dimension 'A' is the total height. Dimension 'B' is the height of the lower body. Dimension 'C' is the height of the upper body. Dimension 'D' is the diameter of the lower body. Dimension 'E' is the diameter of the top stem. A black horizontal bar is shown in the center of the drawing, representing the ceramic disc.

Other Notes:
Replaced by brass version 2015

Associated Parts:



We reserve the right to change specifications without prior notice, substitute or compatible parts may be supplied that may differ from the information shown.