

Spares classification: Valves & Cartridges

Order code: ASCDV0009-C

Generic Part description: Como Cold Valve

Part designation: M20 x 1.5 Ceramic Disc QT

Spanner width for assembly (if applicable): 14mm af

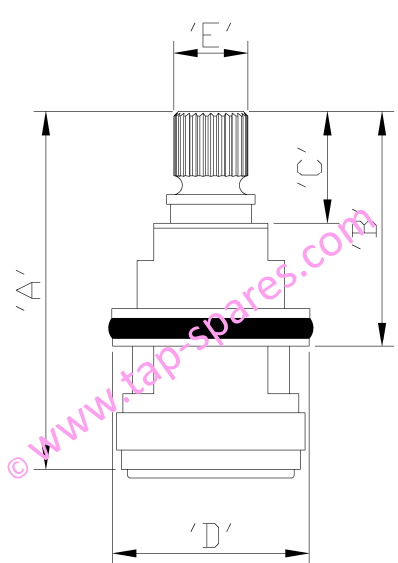
Rotation direction for on (viewed from valve top / if applicable): Anti-Clockwise

Number of splines (valve connection / if applicable): 28

Thread detail on valve top for decorative cover (if applicable): n/a

Finish: Brass

Dimensions and drawing:	
'A'	37
'B'	25
'C'	12
'D'	20
'E'	7.8



Measurements are provided in good faith and do not include any manufacturing tolerance.

Other Notes:
Associated Parts:



We reserve the right to change specifications without prior notice, substitute or compatible parts may be supplied that may differ from the information shown.