

Spares classification: Valves & Cartridges

Order code: ASCDV0008-H

Generic Part description: Astral Hot Valve

Part designation: 1/2" Ceramic Disc QT

Spanner width for assembly (if applicable): 17mm af

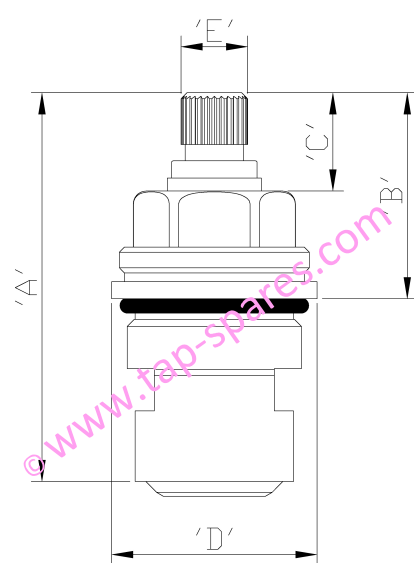
Rotation direction for on (viewed from valve top / if applicable): Clockwise

Number of splines (valve connection / if applicable): 28


Thread detail on valve top for decorative cover (if applicable): M22 x 1

Finish: Brass

| Dimensions and drawing: | |
|-------------------------|-----|
| 'A' | 46 |
| 'B' | 26 |
| 'C' | 11 |
| 'D' | 24 |
| 'E' | 7.8 |



Measurements are provided in good faith and do not include any manufacturing tolerance.

| | |
|--------------------------|--|
| Other Notes: |  |
| Associated Parts: | |

We reserve the right to change specifications without prior notice, substitute or compatible parts may be supplied that may differ from the information shown.