

Spares classification: Valves & Cartridges

Order code: ASCDV0008-C

Generic Part description: Astral Cold Valve

Part designation: 1/2" Ceramic Disc QT

Spanner width for assembly (if applicable): 17mm af

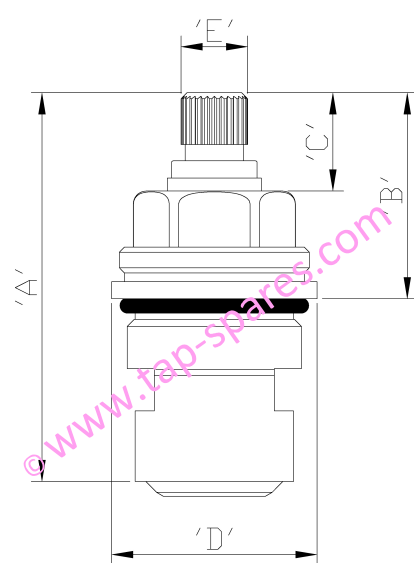
Rotation direction for on (viewed from valve top / if applicable): Anti-Clockwise

Number of splines (valve connection / if applicable): 28

Thread detail on valve top for decorative cover (if applicable): M22 x 1

Finish: Brass

Dimensions and drawing:	
'A'	46
'B'	26
'C'	11
'D'	24
'E'	7.8



Measurements are provided in good faith and do not include any manufacturing tolerance.

Other Notes:
Associated Parts:

We reserve the right to change specifications without prior notice, substitute or compatible parts may be supplied that may differ from the information shown.