

# Spares classification: Valves & Cartridges

**Order code:** ASCDV0003-C

**Generic Part description:** Atlas Cold Valve

**Part designation:** 1/2" Ceramic Disc QT

**Spanner width for assembly (if applicable):** 17mm af

**Rotation direction for on (viewed from valve top / if applicable):** Anti-Clockwise

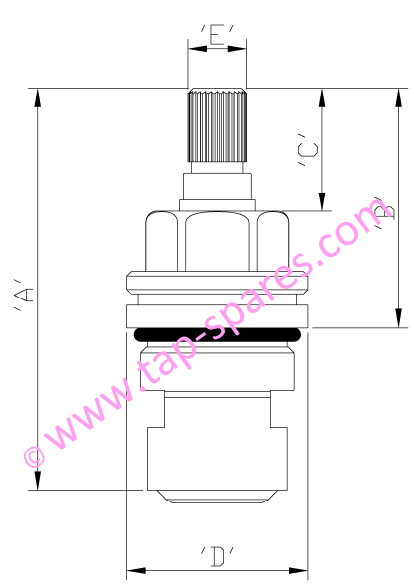
**Number of splines (valve connection / if applicable):** 28

**Thread detail on valve top for decorative cover (if applicable):** M24 x 1

**Finish:** Brass

Dimensions and drawing:	
'A'	53
'B'	32
'C'	16
'D'	24
'E'	7.8

Measurements are provided in good faith and do not include any manufacturing tolerance.



The technical drawing shows a cross-section of the valve assembly. Dimension 'A' is the total height of the assembly. Dimension 'B' is the height of the main body. Dimension 'C' is the height of the upper section. Dimension 'D' is the diameter of the main body. Dimension 'E' is the diameter of the top splined section.

Other Notes:
<p><b>Associated Parts:</b> bush - ASCDV0015 (atlas) bush ASCDV0027 (hargrave)</p>
<p>We reserve the right to change specifications without prior notice, substitute or compatible parts may be supplied that may differ from the information shown.</p>



The photograph shows two views of the valve assembly. The left view shows the assembly with a blue O-ring. The right view shows the assembly without the O-ring. A watermark 'www.tap-spares.com' is visible over the image.