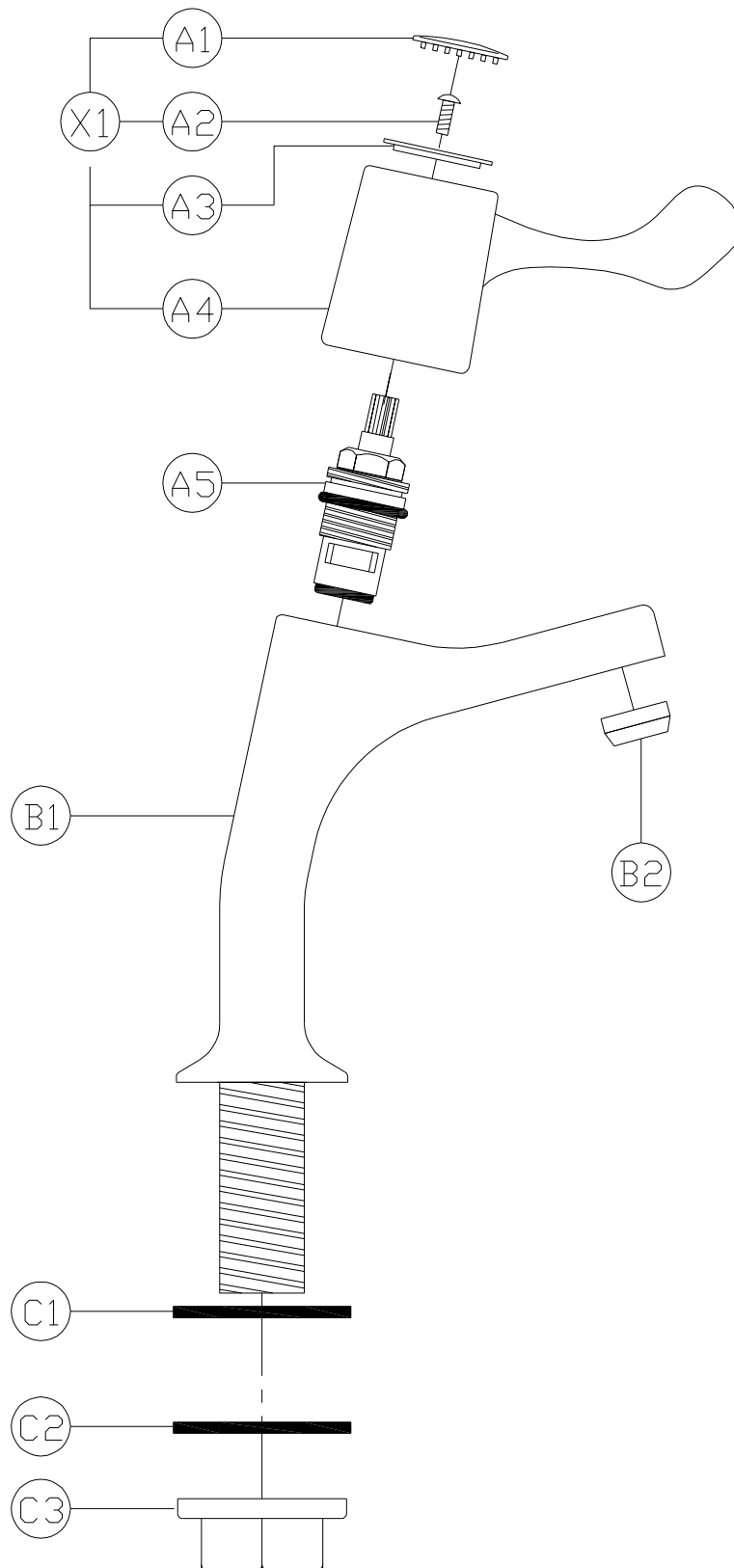


# TAP9011 – Lever pillar taps

Key:	Description:	Part No:
A1	Dust cap	
A2	Handle screw	
A3	Handle indices	
A4	Handle	
A5	Valve cartridge	
B1	Tap body	
B2	Black flow straightener	
C1	Upper seal	
C2	Lower seal	
C3	Fixing backnut	
X1	Handle assembly	



# TAP9011 - Lever pillar tap service drawing v1

(c) abode home products ltd  
www.abode.eu

our policy is to continually  
improve and develop products,  
and accordingly we reserve the  
right to amend specifications  
without prior notice

**General Advice:**

- These instructions are intended as a guide only, if you are in any doubt you should seek the advice of a qualified professional.
- Take care not to mark finished parts with screwdrivers or other tools.
- Use a pair of rubber gloves to get a better grip on decorative hand tight parts.
- Ensure all parts are reassembled tightly.
- After maintenance test that all assemblies are water tight and function correctly.
- Always isolate the hot and cold water supplies before starting any maintenance, once isolated you should drain any residual water from your system.

**To replace the valve:**

1. Lever out the dust cap (A1) using a small precision screwdriver or fingernail.
2. Unscrew the crosshead screw (A2)
3. Pull the handle (A3 & A4) away from the tap body.
4. Holding the tap body (B1) unscrew the valve (A5) using a 17mm ring spanner or adjustable wrench.
5. Clean any debris from the chamber in the tap body (B1).
6. Reassemble the tap in the reverse order.