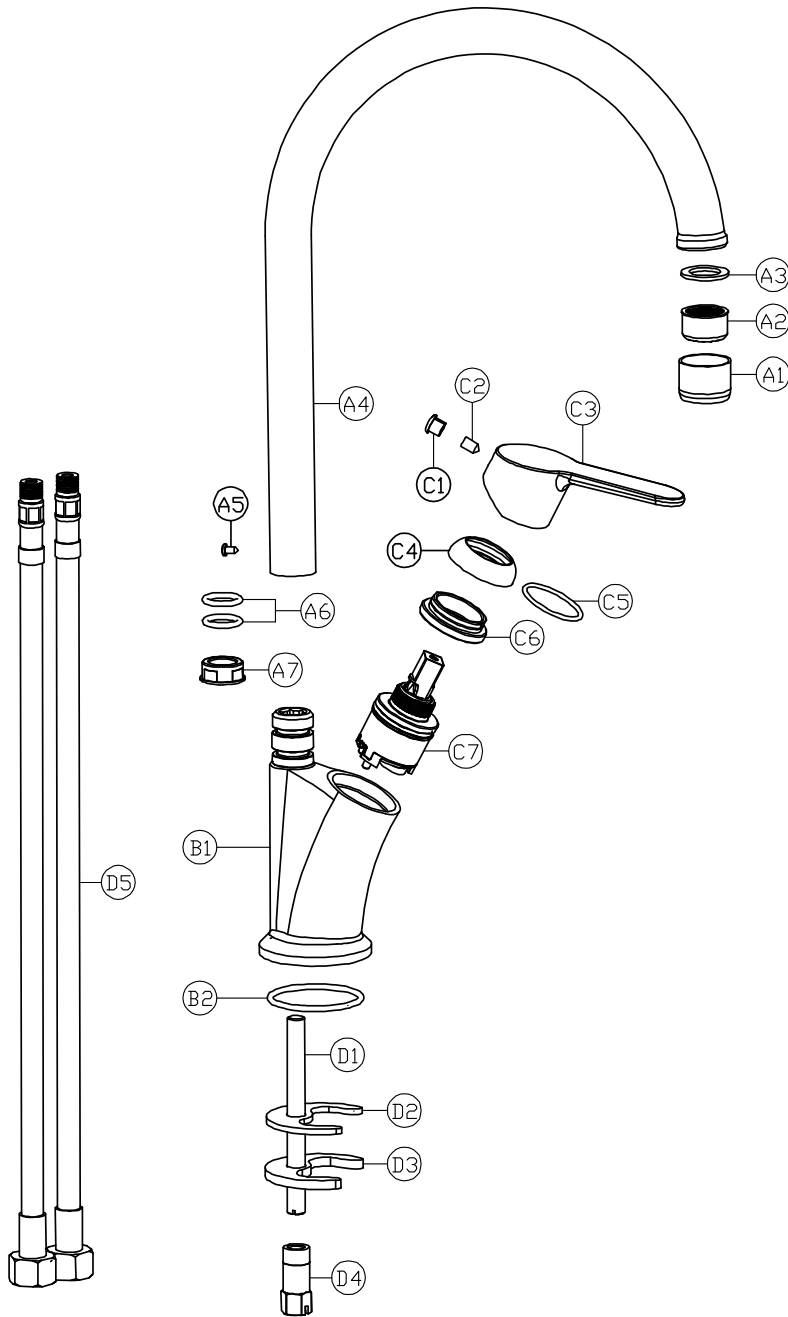


TAP3200 – Savoca Swan Neck



LAMONA
Bioscience & Technology

**TAP3200- Savoca Swan Neck
(Chrome)
- service drawing v1**

our policy is to continually
improve and develop products,
and accordingly we reserve the
right to amend specifications
without prior notice

TAP3200 – Savoca Swan Neck

General Advice:

- These instructions are intended as a guide only, if you are in any doubt you should seek the advice of a qualified professional.
- Take care not to mark finished parts with screwdrivers or other tools.
- Use a pair of rubber gloves to get a better grip on decorative hand tight parts.
- Ensure all parts are reassembled tightly.
- After maintenance test that all assemblies are water tight and function correctly.
- Always isolate the hot and cold water supplies before starting any maintenance, once isolated you should drain any residual water from your system.

To replace the valve:

1. Remove dust cap (C1) and Loosen grub screw (C2) on the back of handle (C3) using a 2.5mm A/F Allen key.
2. Pull the handle (C3) vertically away from the tap body (B1).
3. Unscrew the decorative cover (C4) vertically away from tap body (B1) by hand.
4. With the tap (B1) fixed to the sink/base unit, using an adjustable spanner unscrew the valve lock nut (C6).
5. Clean the Inside of chamber (B1) with a soft wet cloth.
6. Replace the faulty valve (C7) with the new one and assemble in reverse order.

To replace the spout O-rings:

1. Loosen grub screw (A5) on the back of body (B1) using a 1.5mm A/F Allen key.
2. Pull the spout (A4) vertically away from the tap body (B1).
3. Remove O-rings (A6) using a precision screwdriver and replace with new ones.
4. Reassemble the tap in reverse order.