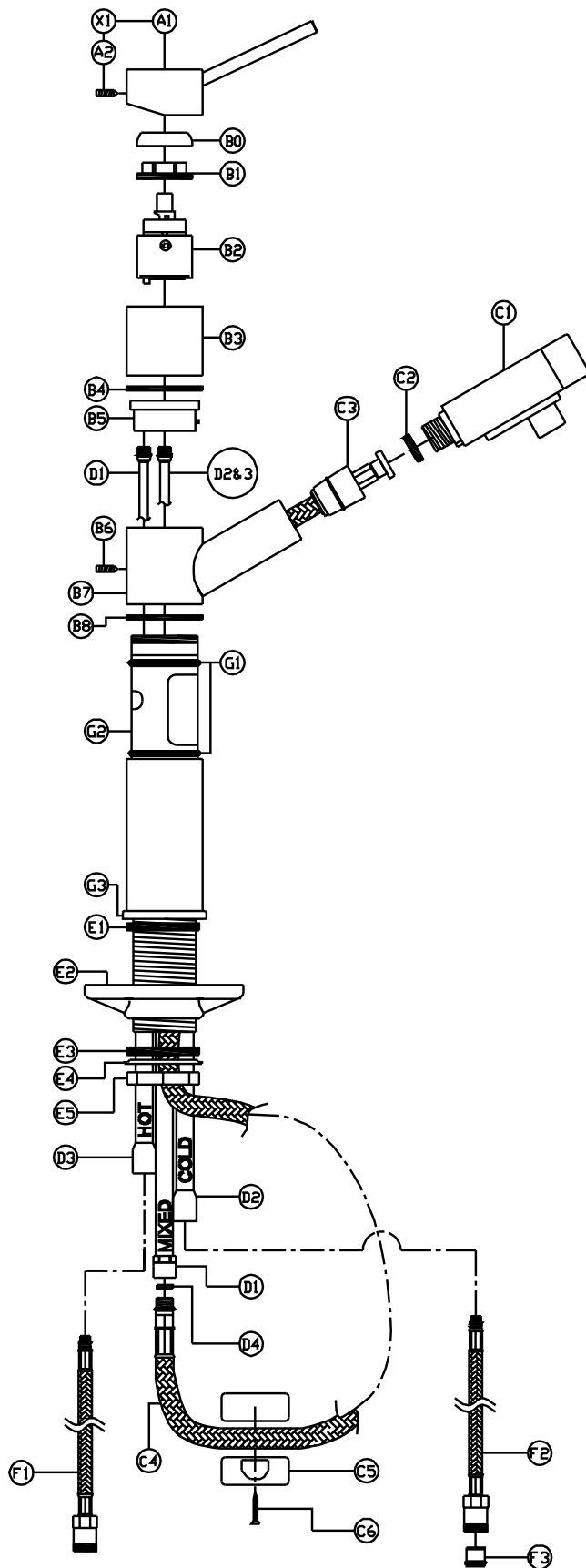


TAP2494 – Pull out spray

Key:	Description:	APX size (mm):	Base material:	Colour:	QTY:
A1	Handle	30 x 42 DIA (90 handle length)	Brass	Chrome	1
A2	Grub screw	M4 x 6	Steel	Silver	1
B0	Lock nut cover	40 x 11	Plastic	Chrome	1
B1	Valve locking nut	M36 x 13	Brass	Chrome	1
B2	Valve cartridge	35 CD x 60	Plastic	Blue	1
B3	Upper body	41 x 41	Brass	Chrome	1
B4	Anti friction ring	40 OD x 1	PTFE	White	1
B5	Valve seat	14 x 35	Brass	Chrome	1
B6	Grub screw	M4 x 6	Steel	Silver	1
B7	Spout base	95 x 42	Brass	Chrome	1
B8	Anti friction ring	40 OD x 1	PTFE	White	1
C1	Sprayhead	180 x 30	Plastic	Chrome	1
C2	Large rubber seal	18 x 3	Rubber	Black	1
C3	Spout hose nut	29 x 23	Brass	Chrome	1
C4	Spout hose	120 x 13	Nylon	Grey	1
C5	Hose weight	40 x 35	Lead alloy	Silver	1
C6	Weight screw	M4 x 16	Steel	Silver	1
D1	Mixed water pipe	325 x M15 x M12	Brass	Chrome	1
D2	Cold water pipe	270 x M10 x M10	Brass	Chrome	1
D3	Hot water pipe	270 x M10 x M10	Brass	Chrome	1
D4	Small rubber seal	13 x 2	Rubber	Black	1
E1	Upper seal	45 x 2	Rubber	Black	1
E2	Stabiliser plate	88 x 58	Plastic	White	1
E3	Lower gasket	50 x 3	Foam	Black	1
E4	Metal washer	60 x 1.5	Steel	Silver	1
E5	Fixing nut	M34 x2	Brass	Brass	1
F1	Hot flexible pipe	M12 x 260 x 1/2" BSP M	Stainless steel/Brass	Silver/red	1
F2	Cold flexible pipe	M12 x 260 x 1/2" BSP M	Stainless steel/Brass	Silver/blue	1
F3	Non return valve	16 x 14	Plastic	White	1
G1	Rubber gasket	35 OD x 2	Rubber	Black	2
G2	Main body	190 x 42	Brass	Chrome	1
G3	Base plinth	50 x 5	Brass	Chrome	1
X1	Handle assembly	N/A	N/A	N/A	1



TAP2494 - Pull out service drawing v1

(c) abode home products ltd
www.abode.au
our policy is to continually
improve and develop products,
and accordingly we reserve the
right to amend specifications
without prior notice

General Advice:

- These instructions are intended as a guide only, if you are in any doubt you should seek the advice of a qualified professional.
- Take care not to mark finished parts with screwdrivers or other tools.
- Use a pair of rubber gloves to get a better grip on decorative hand tight parts.
- Ensure all parts are reassembled tightly.
- After maintenance test that all assemblies are water tight and function correctly.
- Always isolate the hot and cold water supplies before starting any maintenance, once isolated you should drain any residual water from your system.

To replace the valve:

1. Turn the handle (A1) to access the rear side.
2. Loosen grub screw (A2) using a 2.5mm A/F Allen key.
3. Pull the handle (A1) vertically away from the tap.
4. Lever away the decorative cover (B0) from lock nut (B1)
5. Hold the upper body of the tap (B3) firmly. Using an adjustable spanner unscrew the valve lock nut (B1).
6. Pull the old valve cartridge (B2) away from the tap.
7. Ensure that the upper body (B3) is clean of dirt and grit.
8. Place the new valve (B2) in the chamber (B3), ensuring the locators on the base of valve (B2) align with the recesses in the chamber of the tap (B3).
9. Reassemble the tap in the reverse order.

To replace the sprayhead:

1. Pull the sprayhead (C1) away from the spout (B7).
2. Whilst holding spout hose nut (C3) unscrew the sprayhead (C1).
3. Replace the new sprayhead (C1) ensuring to include large seal (C2) where shown.

To replace the spout hose:

Note: the spout hose is a tight fit through the tap assembly, it may be necessary to remove the tap to gain access.

1. Pull the sprayhead (C1) away from the spout (B7).
2. Whilst holding spout hose nut (C3) unscrew the sprayhead (C1).
3. Loosen screw (C6) and remove hose weight (C5).
4. Whilst holding mixed pipe (D1) unscrew the spout hose (C4).
5. With the spout body (B7) in its centre position pull the spout hose (C4) through the tap body (G2) and out. Note, push the pipes (D1,2,3) to make more room to remove the hose.
6. Reassemble the tap in the reverse order.